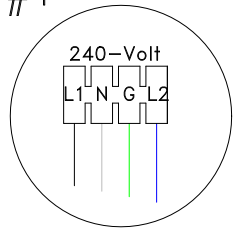
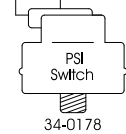
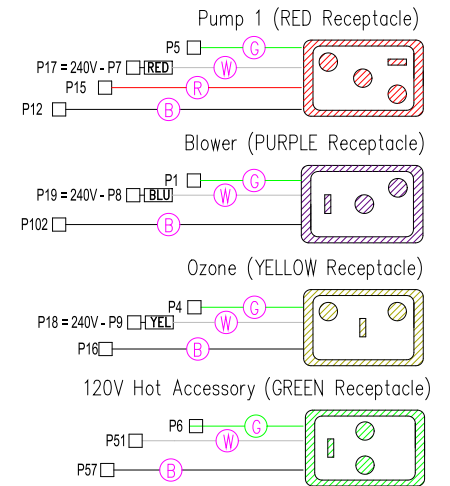
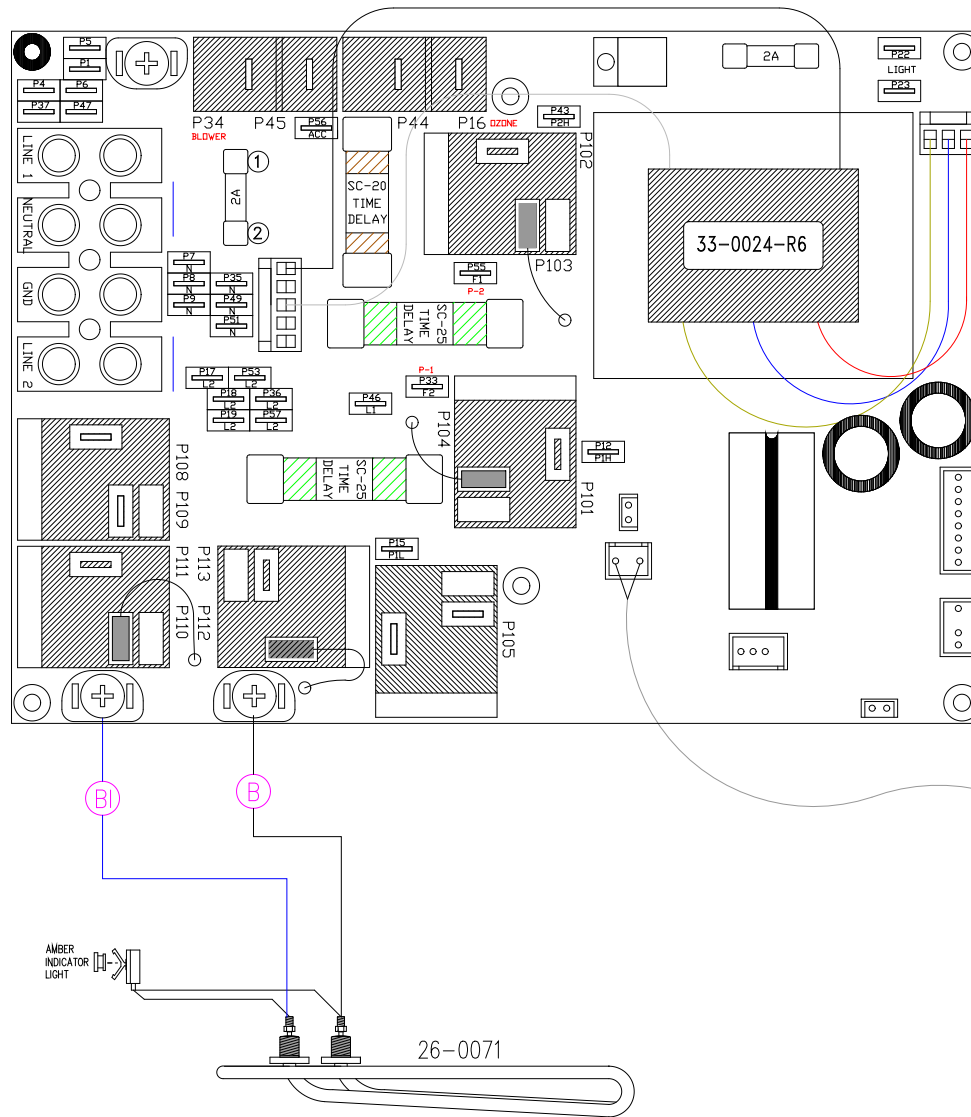


#1



LEGEND	
	- 1/4" QUICK CONNECT
	- 1/4" QUICK CONNECT PIGGYBACK
	- FORK CONNECTOR
	- RING CONNECTOR
	- SOCKET CONNECTOR
	- PIN CONNECTOR



Manufacture Notes: #1 Line 2 and Neutral need to be jumpered for 120V operation.

HYDRO-QUIP
CORONA, CA (909) 273-7575

Drawn GC	Rev 11	Wire Color Code B - Black Br - Brown R - Red O - Orange Y - Yellow G - Green Bl - Blue V - Violet W - White Gr - Gray
Date 12.07.2006		
Diagram No. 4817		